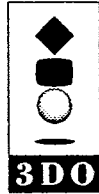


# Service Manual

3DO Interactive Multiplayer

FZ-1

**Supplement**

## CD-ROM Drive Break down

Please file and use this supplement manual together with the Service Manual for Model No. FZ-1, Order No. CPD9309012C0 and IMD9411004S1.

### 1. Parts break down

Parts on the following list are appended to the original parts. These parts are necessary to reform the CD-ROM drive using brush motor into the drive using brushless motor.

| REF. No. | PART No.   | DESCRIPTION           | Q'TY |
|----------|------------|-----------------------|------|
| E4-28*   | LMEM00531  | SPINDLE MOTOR         | 1    |
| E4-29    | LMJB0202A1 | FPC FOR SPINDLE MOTOR | 1    |
| E4-30    | LMEX0240   | 2 PIN-CABLE           | 1    |
| E4-31    | SPPB12     | SWITCH                | 1    |
| E4-32    | LMMQ0073   | MAGNET YOKE           | 1    |

\* The spindle motor (LMEM00531) must be used together with the particular CD-ROM drive PCB (LMEP0306A3) and nothing else.

### 2. Motor Kit

All parts necessary for changing the brush type drive into brushless type one can be ordered as a kit. You can order this kit as follows.

| PART No.    | DESCRIPTION | Q'TY |
|-------------|-------------|------|
| DFWV99B0056 | MOTOR KIT   | 1    |

The motor kit includes all the parts on the list in the section 1 (E4-28, 29, 30, 31, 32) and the following component (E4-5).

| REF. No. | PART No.   | DESCRIPTION      | Q'TY |
|----------|------------|------------------|------|
| E4-5*    | LMEP0306A3 | CD-ROM DRIVE PCB | 1    |

\* Refer to the Service Manual IMD9411004S1.

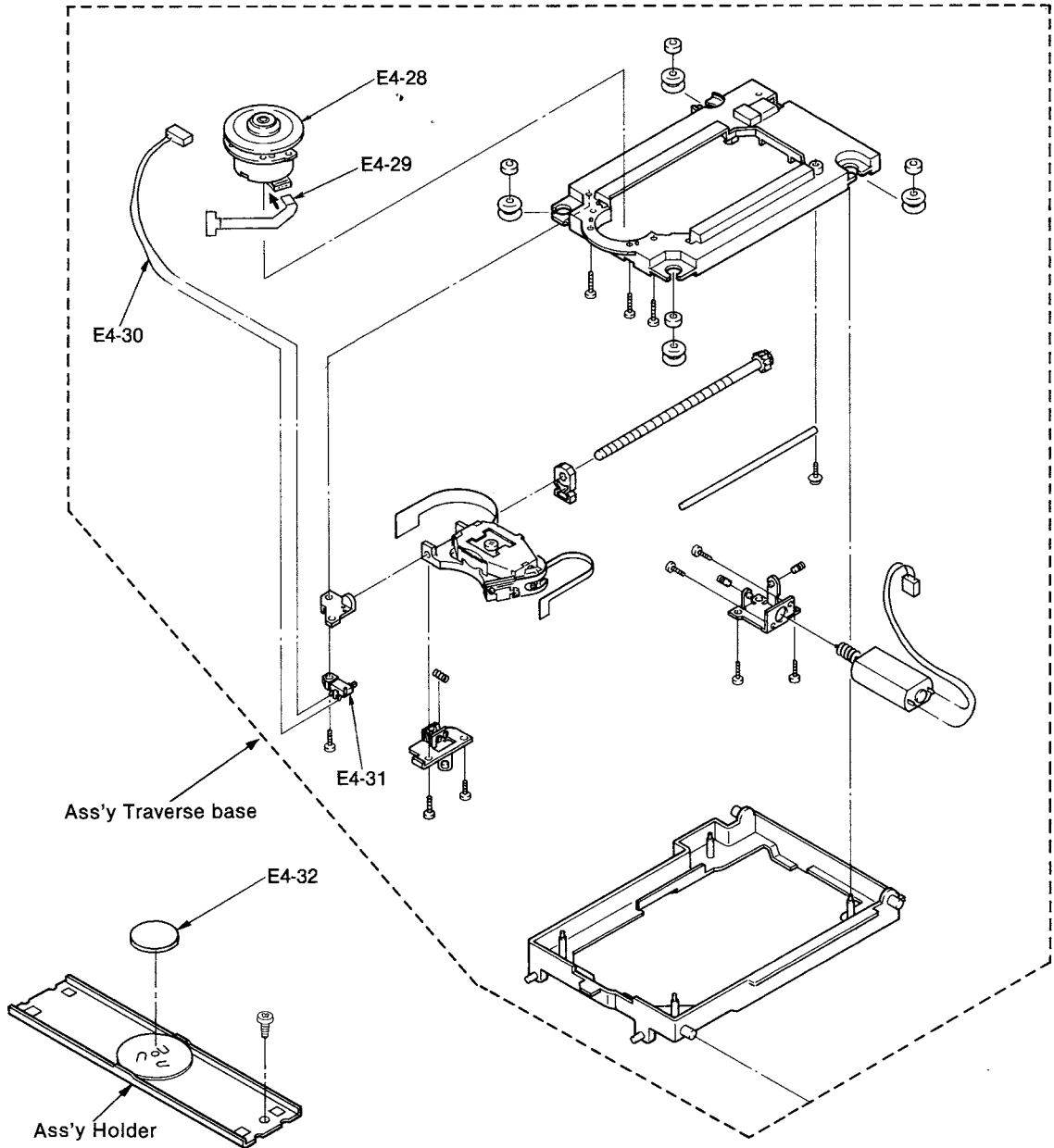
#### △ WARNING

This service information is designed for experienced repair technicians only and is not designed for use by the general public. It does not contain warnings or cautions to advise non-technical individuals of potential dangers in attempting to service a product. Products powered by electricity should be serviced or repaired only by experienced professional technicians. Any attempt to service or repair the product or products dealt with in this service information by anyone else could result in serious injury or death.

# Panasonic®

© 1995 Matsushita Electric Industrial Co., Ltd.  
All rights reserved. Unauthorized copying and distribution is a violation of law.

### 3. Exploded Views



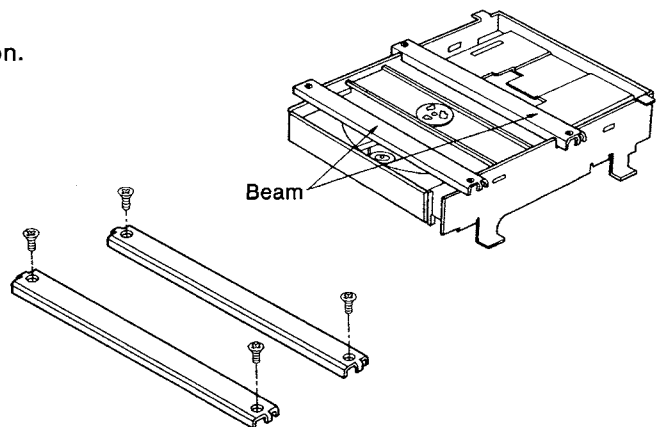
### 4. Assembly/Disassembly

Please refer to the Service Manual before modification.

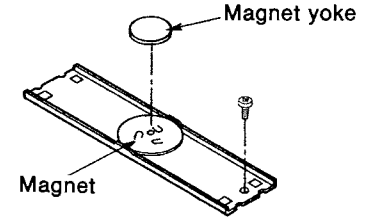
Caution: Do not touch the Pick up Lens.

1. Remove the CD-ROM Drive.

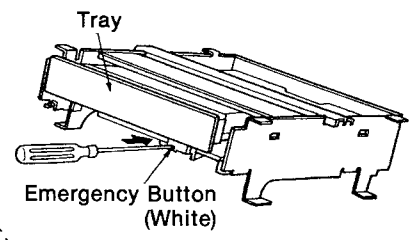
2. Remove four Screws and remove two Beams.



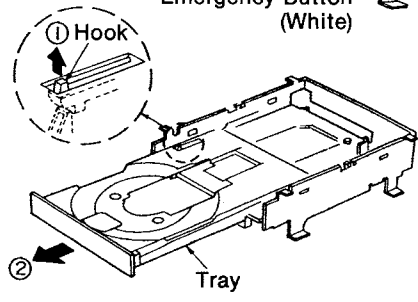
- Remove one screw and remove the Ass'y Holder Beam. Stick the magnet yoke on the center of the Magnet.



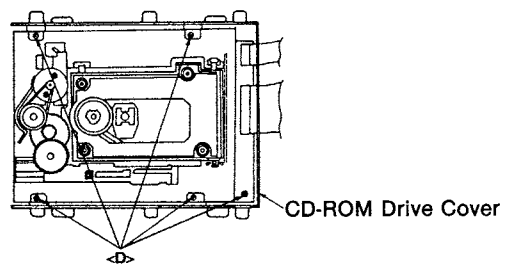
- Push the Emergency Button and draw out the Tray.



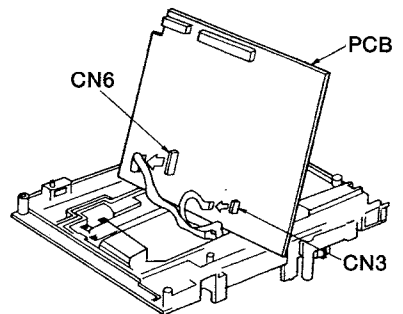
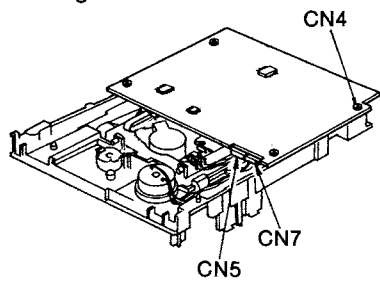
- Push up the Hook and pull out the Tray.



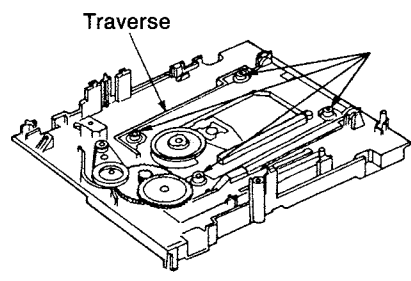
- Remove five screws and remove the Ass'y Mecha Chassis.



- Disconnect three Connectors (CN4, 5, 7) and remove four Screws and gradually raise up the PCB. Disconnect two connectors (CN3, 6) and change the PCB after completing following 8-13.



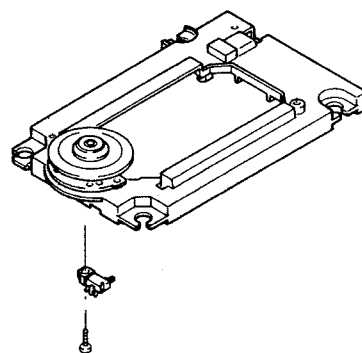
- Pull out four white Stoppers and remove the Ass'y Traverse Base.



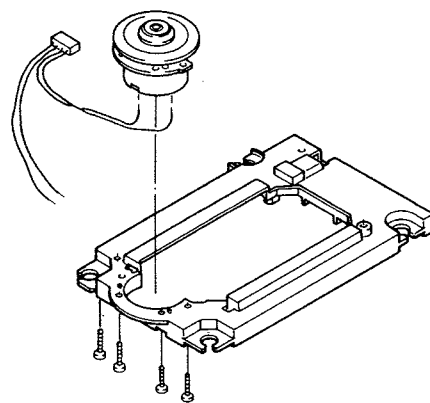
- Remove the one Screw and remove the Micro SW.

10. Fasten the new Micro SW by one screw.  
(Important!)

11. Remove the four black screws and remove the Brush Motor.

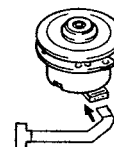


12. Fasten the Brush Less Spindle Motor and preliminary fasten the Screws and check the Motor position then fasten four Screws evenly.



Note: Be sure four screws are fastened tightly and no gap between frame and motor metal.

13. Fasten the Flat Cable.



# Reassemble in the order.

**5. Jig**

After reformed, the traverse can be tested by the jigs on the following table.

| PART No.    | DESCRIPTION                       | Q'TY |
|-------------|-----------------------------------|------|
| DFWV95C0132 | CD-ROM DRIVE TEST JIG WITH MANUAL | 1    |
| CDT-R015J-4 | TEST DISC 1                       | 1    |
| MKE-R052    | TEST DISC 2                       | 1    |

When using these jigs, you need the checker for FZ-10. If you don't have the checker, please order it as well as DFWV95C0132.

